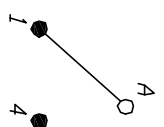
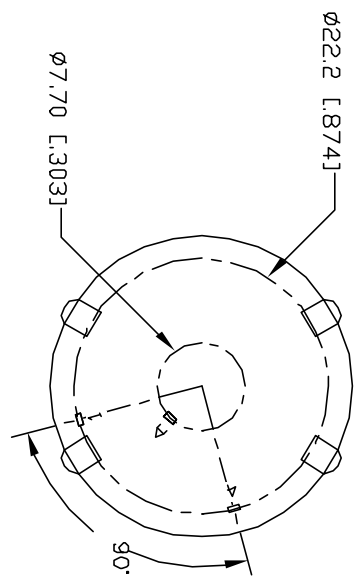
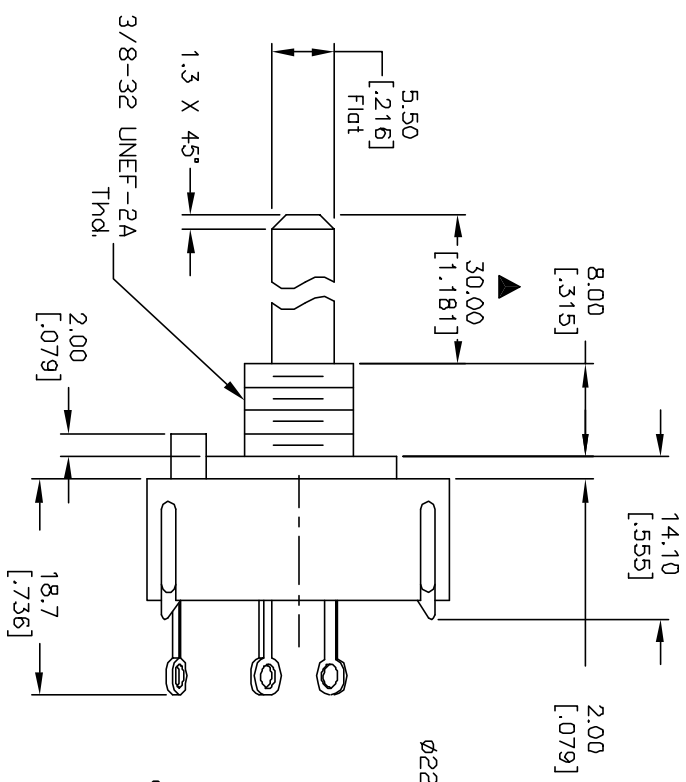
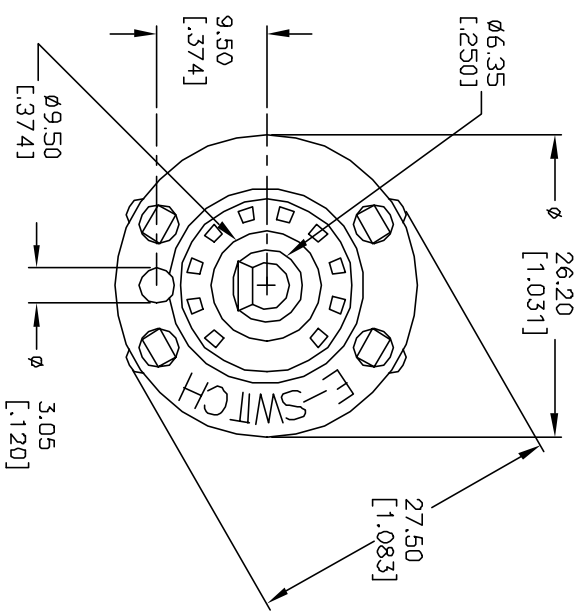
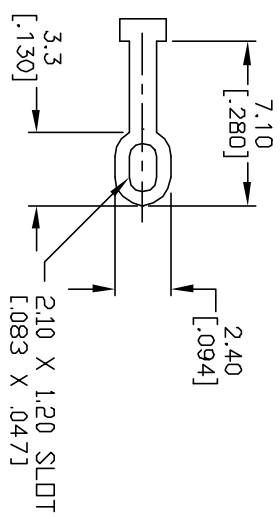


- NOTES:
1. ALL DIMENSION IN MM [INCH]
 2. GENERAL TOLERANCE: X.X=±0.4
X.XX=±0.25
 3. TERM. NOS. FOR REF. ONLY
 4. CONTACT RATING SWITCHING: 150mA, 250V AC/DC
350mA, 110V AC/DC
 5. OPERATING FORCE: 425±100 CM/STANDARD
 6. OPERATING TEMP: -30° to 85°C
 7. CIRCUIT SP: 2 POSITIONS, 90° INDEX.
 8. DIELECTRIC STRENGTH: 1000V RMS min.@Sea Level
 9. DESIGNATE MAJOR DIMENSIONS
 10. LOCK NUT AND WASHER NOT SHOWN.



CONTACT CONFIGURATION (BBM)



E-SWITCH®

REV. A		11294		RELEASED FOR PRODUCTION		3/5/01		CJB		TITLE	
ECN No.		DESCRIPTION		DATE		CHKD		SCALE		1.5:1	
THE INFORMATION CONTAINED IN THIS DOCUMENT IS PROPRIETARY TO E-SWITCH AND IS NOT TO BE COPIED OR TRANSFERRED		KC-54-A-01-N-L-S		DR		CJB		DWG		G527560	
REV. A		G527560		DATE		3/5/01		DR		CJB	